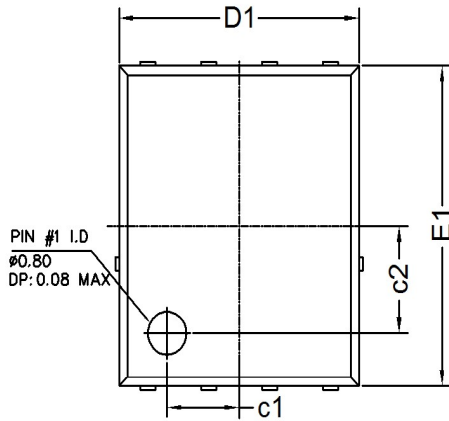


POD#	PODGAR-2
REV#	Rev.A

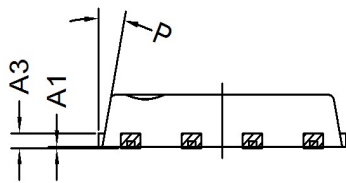
PDFN 5.15x6.15 PACKAGE OUTLINE DRAWING



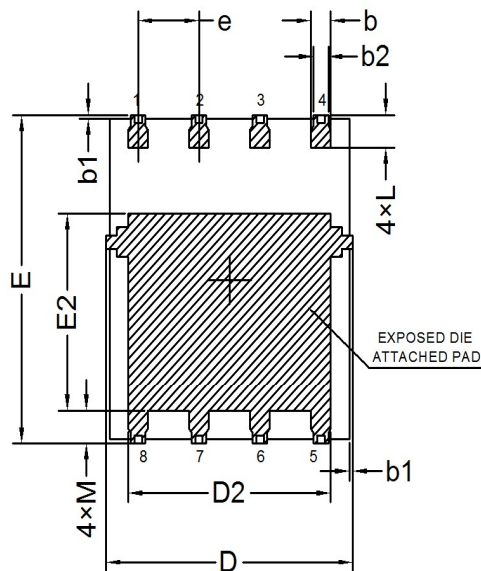
Top View



Side View



Side View



Bottom View

SYMBOL	MIN	MAX
A	0.95	1.05
A1	0.00	0.05
A3	0.25 REF	
b	0.31	0.51
b1	0.03	0.13
b2	0.21	0.41
c1	1.50 REF	
c2	2.00 REF	
D	5.15 BSC	
D1	5.00 BSC	
D2	4.00	4.20
E	6.15 BSC	
E1	6.00 BSC	
E2	3.60	3.80
e	1.27 BSC	
L	0.51	0.71
M	0.51	0.71
P	10°	12°

Unit in mm

RECOMMENDED LAND PATTERN

